



SQUARE TANKS

www.hiltonmfg.com.au

Victoria

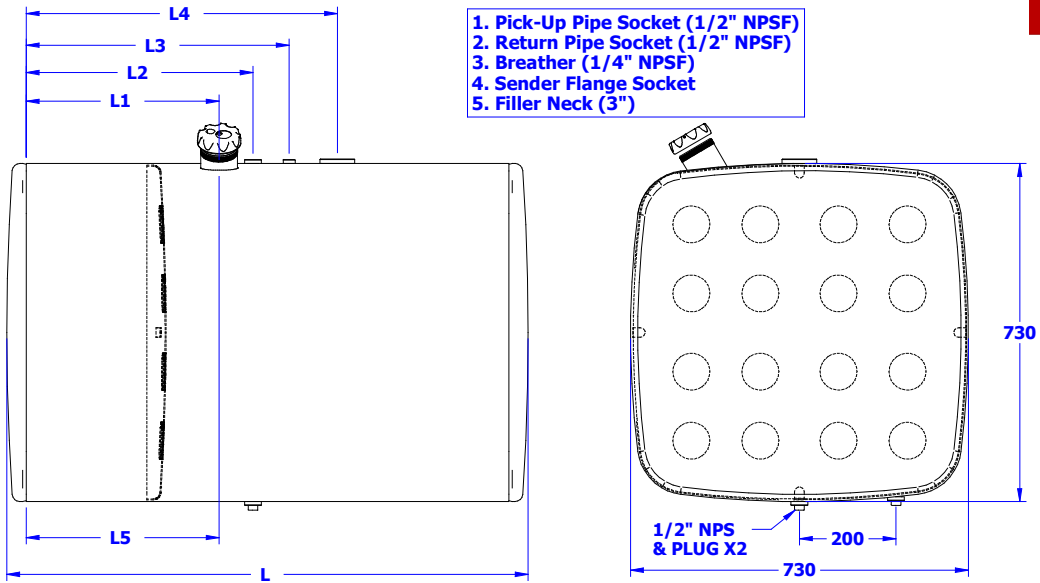
110-116 Bangholme Rd
Dandenong South, 3164
Ph: 03 8791 9400
Fax: 03 9768 2952

Queensland

57 Campbell Avenue
Wacol, 4076
Ph: 07 3879 4091
Fax: 07 3879 4093

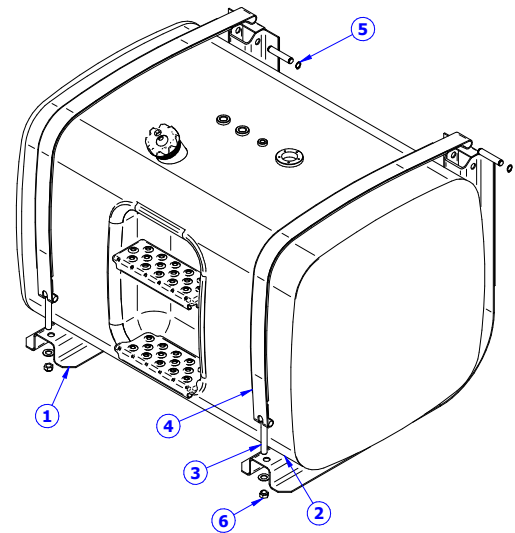
ALUM SQUARE TANK

730 x 730mm



Capacity [LT]	Part No.	L [mm]	L1 / L5 [mm]	L2 [mm]	L3 [mm]	L4 [mm]	Tank Price	2 Bracket Kit Price	3 Bracket Kit Price
625	HMSQR73054141AL	1370	1040	440	940	340	\$1350	\$563	
670	HMSQR73058152AL	1470					\$1400		\$844
720	HMSQR73062162AL	1580					\$1450		\$844
770	HMSQR73066172AL	1680					\$1500		\$844

Item No	Part No.	Price
1	HMSUPPSQ730	\$154
2	HMSQR730RUS	\$12
3	HMSQR730SSS	\$71
4	HMRUSQ	\$22
5 + 6	HMPINKIT	\$12



Recessed Double Steps can be added to Rectangular Tanks at a cost of \$210 each OR. Recessed Single Step can be added to Rectangular Tanks at a cost of \$120 each.

Remarks

- **AL** Stands for Left Hand (Passenger’s Side) Tank, as shown above
- **AR** Stands for Right Hand (Driver’s Side) Tank, diametrically opposite to what is shown above
- **Step not included in the kit – Can be ordered separately**



PRIVATE SALES

Ph: 03 8791 9400

Mob: 0439 391 276

Fax: 03 8791 9464

Email: privatesales@hiltonmfg.com.au

All Prices in this Catalogue Exclude GST