



RECTANGULAR TANKS

www.hiltonmfg.com.au

Victoria

110-116 Bangholme Rd
Dandenong South, 3164
Ph: 03 8791 9400
Fax: 03 9768 2952

Queensland

57 Campbell Avenue
Wacol, 4076
Ph: 07 3879 4091
Fax: 07 3879 4093

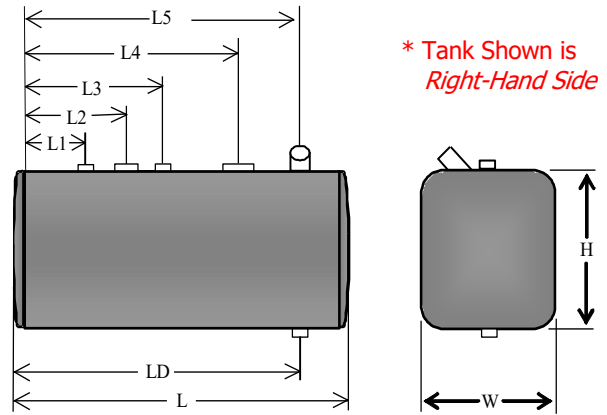
ORDER FORM - RECTANGULAR TANKS

- 550x550mm
 360x615mm
 480x650mm
 625x700mm
 700x700mm
 730x730mm



*** PHOTOCOPY, COMPLETE AND FAX US THIS FORM FOR ALL YOUR CUSTOM TANK REQUESTS**

CUSTOMER:
 CONTACT:
 TEL.:
 FAX:



BY MAKING REFERENCE TO THE DIAGRAM ABOVE, SPECIFY YOUR TANK REQUIREMENTS IN THE CORRESPONDING SPACES GIVEN BELOW. PLEASE USE A 'TICK' WHERE NECESSARY.

Tank Description	Specification		
CAPACITY			
MATERIAL	ALUMINIUM	STEEL	
SIDE	Right Hand (Driver)	Left Hand (Passenger)	
COLOR	PLAIN	BLACK	OTHER
QUANTITY			

REF	Specification	Description
L [mm]		Tank Length
W [mm]		Tank Width
H [mm]		Tank Height
L1 [mm]		Pick-Up Pipe Socket <i>location</i>
L2 [mm]		Return Pipe Socket <i>location</i>
L3 [mm]		Breather <i>location</i>
L4 [mm]		Sender Flange Socket <i>location</i>
L5 [mm]		Filler Neck <i>location</i>
LD [mm]		Drain Socket & Plug <i>location</i>

IF YOU WISH TO CHANGE THE SIZE OF THE TANK SOCKETS, INDICATE THE REQUIRED SIZES YOU WANT IN THE REQUIRED SIZE SPACES GIVEN BELOW:

Tank Sockets	Hilton Size	Required Size
Filler Neck	3" x 10 TPI BSW	
Drain Socket & Plug	1/2" NPSF	
Pick-Up Pipe Socket	1/2" NPSF	
Return Pipe Socket	1/2" NPSF	
Sender Flange Socket	5 Holes x M5 on 54mm P.C.D.	
Breather	1/4" NPSF	

ALL PRICES EXCLUDE GST

MOUNTING KITS RECTANGULAR TANKS



RECTANGULAR TANK

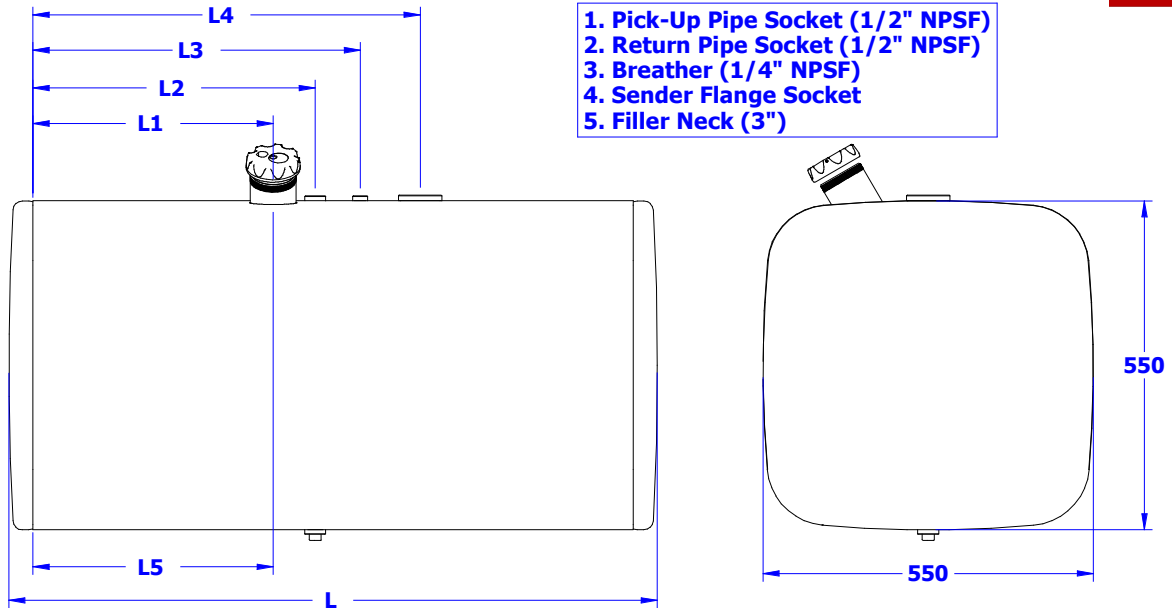
Tank Size	2-Bracket Kit	3-Bracket Kit	List Price
550x550	HM550KIT2		\$517
		HM550KIT3	\$775
615x360	HM615360KIT2		\$517
		HM615360KIT3	\$775
650x480	HM650480KIT2		\$517
		HM650480KIT3	\$775
700x625	HM700625KIT2		\$528
		HM700625KIT3	\$792
700x700	HM700KIT2		\$539
		HM700KIT3	\$808
730x730	HM730KIT2		\$563
		HM730KIT3	\$844

All Kits above include L/J Brackets, Stainless Steel Straps, Rubbers, and Clevis Pin Kits

ALL PRICES EXCLUDE GST

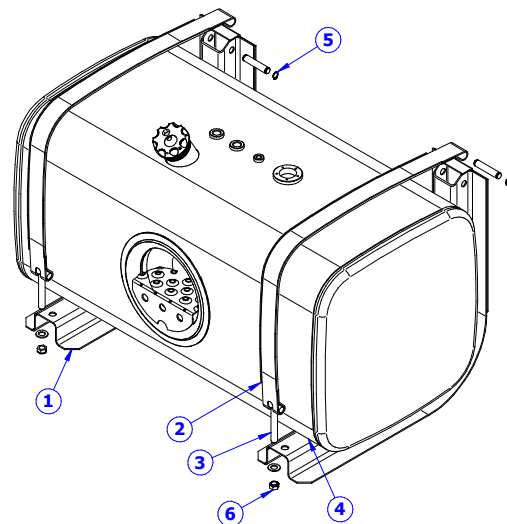
ALUM RECTANGULAR TANKS

550 x 550mm



Capacity [LT]	Part No.	L [mm]	L1 [mm]	L2 [mm]	L3 [mm]	L4 [mm]	L5 [mm]	Tank Price	2 Bracket Kit Price
156	HMSQR5502638AL	680	170	330	400	250	400	\$660	\$517
240	HMSQR5503956AL	980	300	600	700	450	450	\$770	\$517
310	HMSQR5504972AL	1250	505	665	785	585	585	\$880	\$517

Item No	Part No.	Price
1	HMSQR550LBKT	\$132
2	HMSQR550RUS	\$11
3	HMSQR550SSS	\$71
4	HMRUSQ	\$22
5 + 6	HMPINKIT	\$12



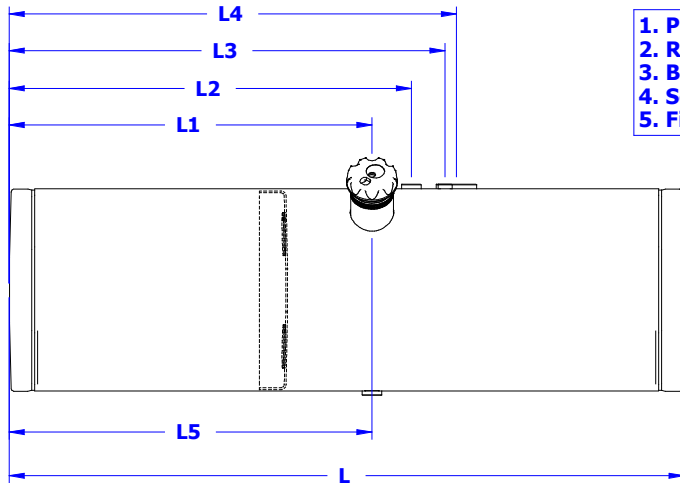
Recessed Single Step can be added to Rectangular Tanks at a cost of \$120 each

Remarks

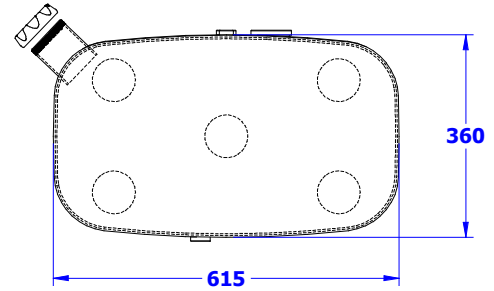
- **AL** Stands for Left Hand (Passenger's Side) Tank, as shown above
- **AR** Stands for Right Hand (Driver's Side) Tank, diametrically opposite to what is shown above
- **Step not included in the kit – Can be ordered separately**

ALUM RECTANGULAR TANKS

615 x 360mm

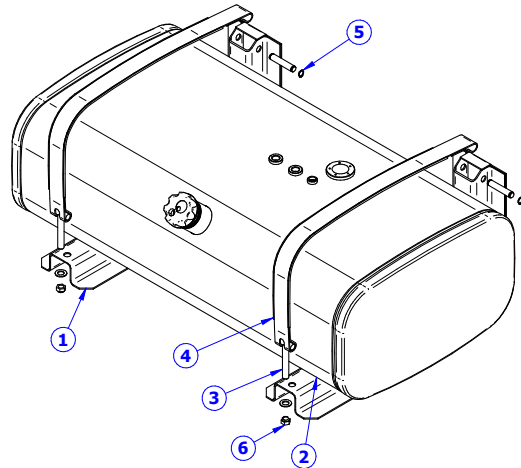


1. Pick-Up Pipe Socket (1/2" NPSF)
2. Return Pipe Socket (1/2" NPSF)
3. Breather (1/4" NPSF)
4. Sender Flange Socket
5. Filler Neck (3")



Capacity [LT]	Part No.	L [mm]	L1 & L5 [mm]	L2 [mm]	L3 [mm]	L4 [mm]	Tank Price	2 Bracket Kit Price
160	HMRC6153603557AL	900					\$770	\$517
190	HMRC6153604366AL	1100	650	690	770	570	\$825	\$517
245	HMRC6153605175AL	1300					\$880	\$517

Item No	Part No.	Price
1	HMSUPPRC615360	\$132
2	HM24.5RUS	\$11
3	HMRC615360SSS	\$71
4	HMRUSQ	\$22
5 + 6	HMPINKIT	\$12

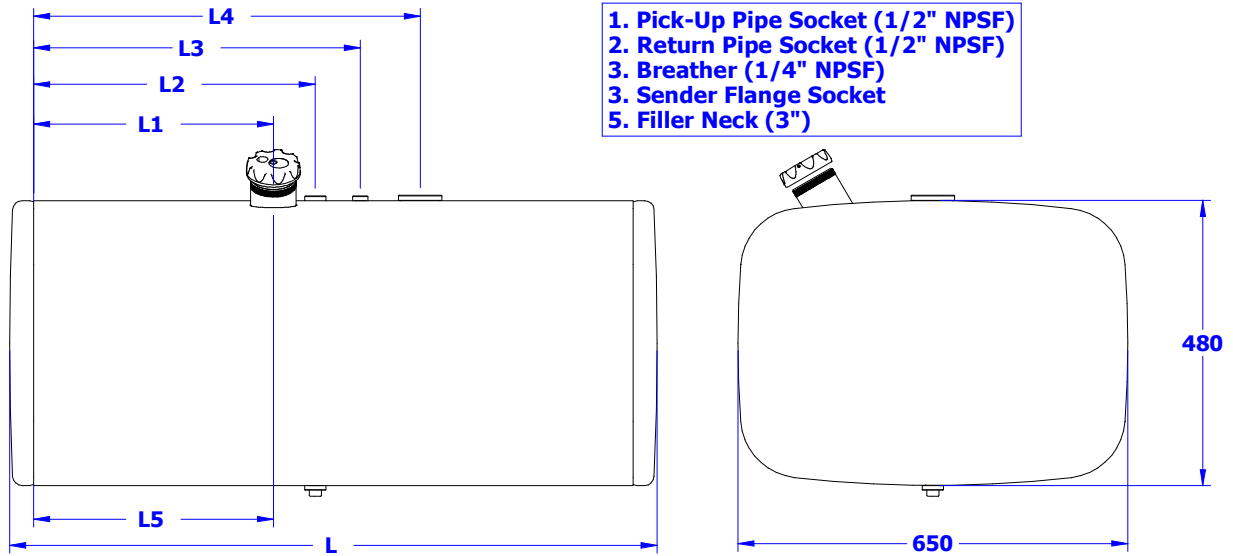


Remarks

- **AL** Stands for Left Hand (Passenger's Side) Tank, as shown above
- **AR** Stands for Right Hand (Driver's Side) Tank, diametrically opposite to what is shown above
- **Step not included in the kit – Can be ordered separately**

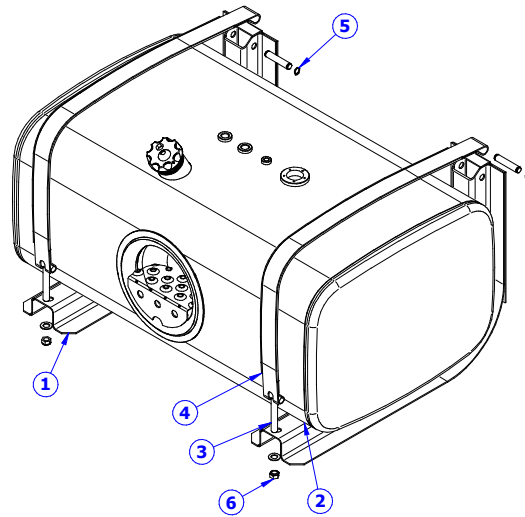
ALUM RECTANGULAR TANK

650 x 480mm



Capacity [LT]	Part No.	L [mm]	L1 [mm]	L2 [mm]	L3 [mm]	L4 [mm]	L5 [mm]	Tank Price	2 Bracket Kit Price
177	HMRC6504802638AL	680	330	470	400	250	400	\$605	\$517
255	HMRC6504803956AL	980	380	520	450	300	450	\$770	\$517
325	HMRC6504804971AL	1250	715	855	785	585	585	\$880	\$517

Item No	Part No.	Price
1	HMRC650480L	\$132
2	HMRC650480RUS	\$11
3	HMRC650480SSS	\$71
4	HMRUSQ	\$22
5 + 6	HMPINKIT	\$12



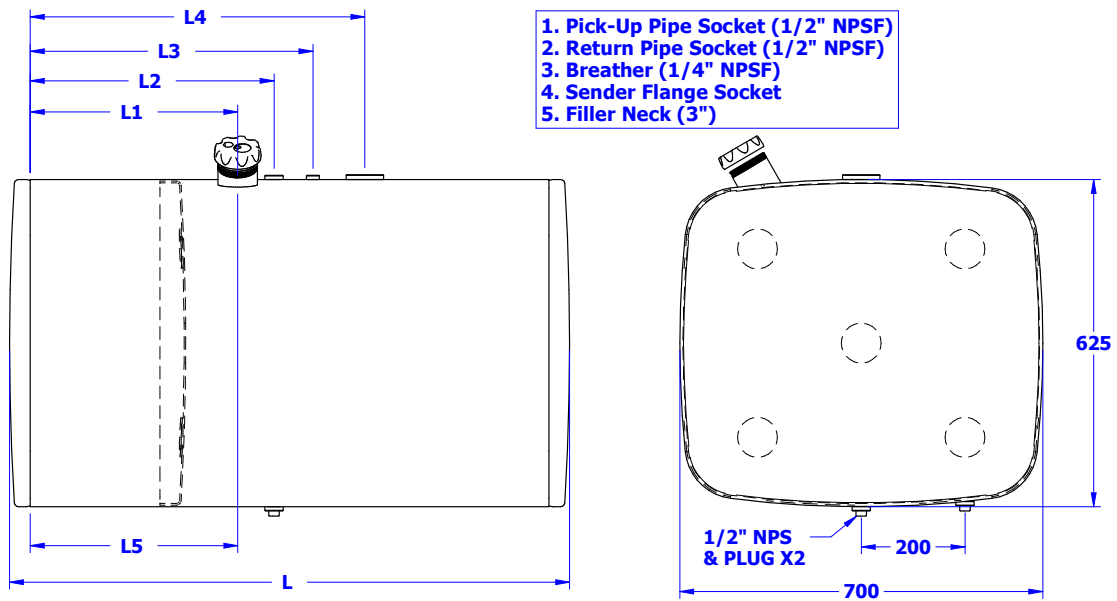
Recessed Single Step can be added to Rectangular Tanks at a cost of \$120 each

Remarks

- **AL** Stands for Left Hand (Passenger's Side) Tank, as shown above
- **AR** Stands for Right Hand (Driver's Side) Tank, diametrically opposite to what is shown above
- **Step not included in the kit – Can be ordered separately**

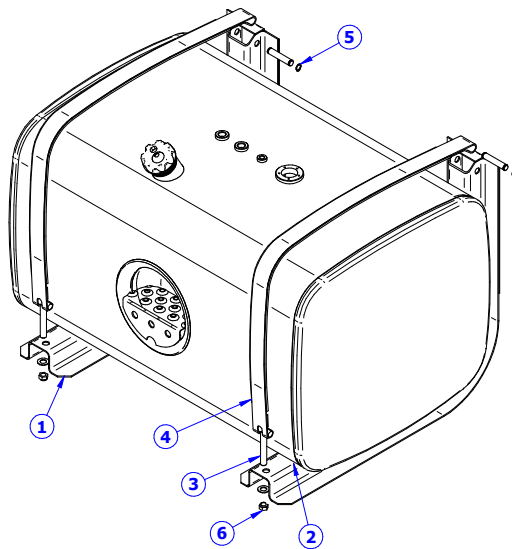
ALUM RECTANGULAR TANK

700 x 625mm



Capacity [LT]	Part No.	L [mm]	L1 / L5 [mm]	L2 [mm]	L3 [mm]	L4 [mm]	Tank Price	2 Bracket Kit Price	3 Bracket Kit Price
385	HMRC7006254085AL	1010	685	355	585	255	\$990	\$528	
490	HMRC70062550108AL	1280	955	355	858	255	\$1190	\$528	
600	HMRC70062562132AL	1580	1040	440	940	340	\$1390		\$792

Item No	Part No.	Price
1	HMSUPPRC700625	\$137
2	HMRC700625RUS	\$11
3	HMRC700625SSS	\$71
4	HMRUSQ	\$22
5 + 6	HMPINKIT	\$12



Recessed Single Step can be added to Rectangular Tanks at a cost of \$120 each

Remarks

- **AL** Stands for Left Hand (Passenger's Side) Tank, as shown above
- **AR** Stands for Right Hand (Driver's Side) Tank, diametrically opposite to what is shown above
- **Step not included in the kit – Can be ordered separately**



PRIVATE SALES

Ph: 03 8791 9400

Mob: 0439 391 276

Fax: 03 8791 9464

Email: privatesales@hiltonmfg.com.au

All Prices in this Catalogue Exclude GST